

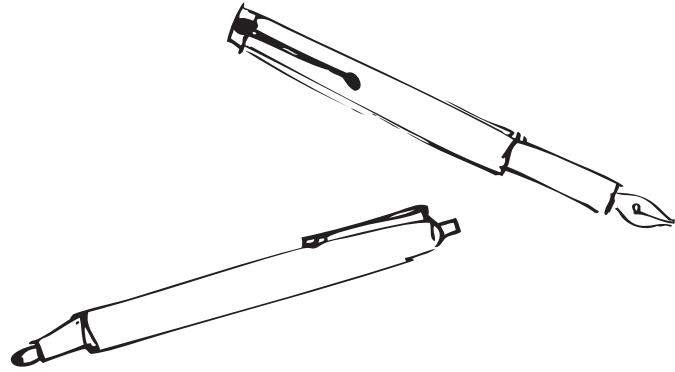
mesh

EDEN VALLEY RIESLING

2008



TWO'S COMPANY



mesh

EDEN VALLEY RIESLING

2008

A "joint adventure" between Yalumba's Hill Smith [ed] and Grosset: both wineries take the same Eden Valley grapes, make them separately, then blend - mesh - the components. The result is gorgeous, lime-and-fennel-scented riesling.

THE WEEKEND AUSTRALIAN

MAGAZINE

December 6-7 2008

