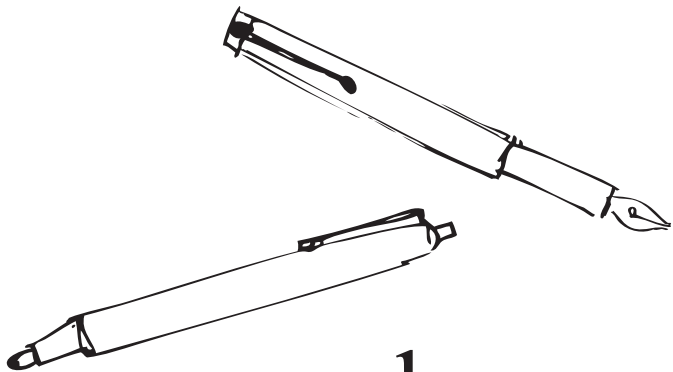


92  
POINTS



mesh

EDEN VALLEY RIESLING  
2007

Jeffrey Grosset likes his rieslings firm and clean. This one has a lasting flavor of lime, young and direct. There's an earthy, talclike edge of acidity to hold that line as it ages over the next five to eight years.

**Wine & Spirits**  
October 2008

